



USER MANUAL

PHACON LUMBAR SPINE ASSISTANT

INSTRUCTIONS

INTENDED USE

The PHACON Lumbar Spine Assistant is intended to be used by healthcare professionals for education and training purposes only. The assistant allows surgical residents and other healthcare professionals to use actual surgical instruments on three dimensional (3-D) anatomical models.

If you are not sure whether parts are damaged or faulty, or if you have any questions regarding the use, please contact PHACON Support (Phone: +49 (0)341 47 83 97 32 or support@phacon.de) in immediately.

USER SAFETY



WARNINGS:

- Only trained and experienced healthcare professionals should use this equipment. Before using any system component, or any component compatible with this assistant, read and understand the instructions. Become familiar with the assistant components prior to use.
 - Upon initial receipt and before each use, operate the equipment and inspect each component for damage. DO NOT use any component if damage is apparent.
- See the care / cleaning instructions section.

NOTE: If you need more information:

Phone: +49 (0)341 47 83 97 32

Mail: support@phacon.de



OTHER GENERAL WARNINGS

Always use your surgical instruments according to the intended use of the manufacturer.

Cases and packaging

WARNINGS:

The suitcase and the packaging foils are not toys and not suitable for children. There is a risk of suffocation!

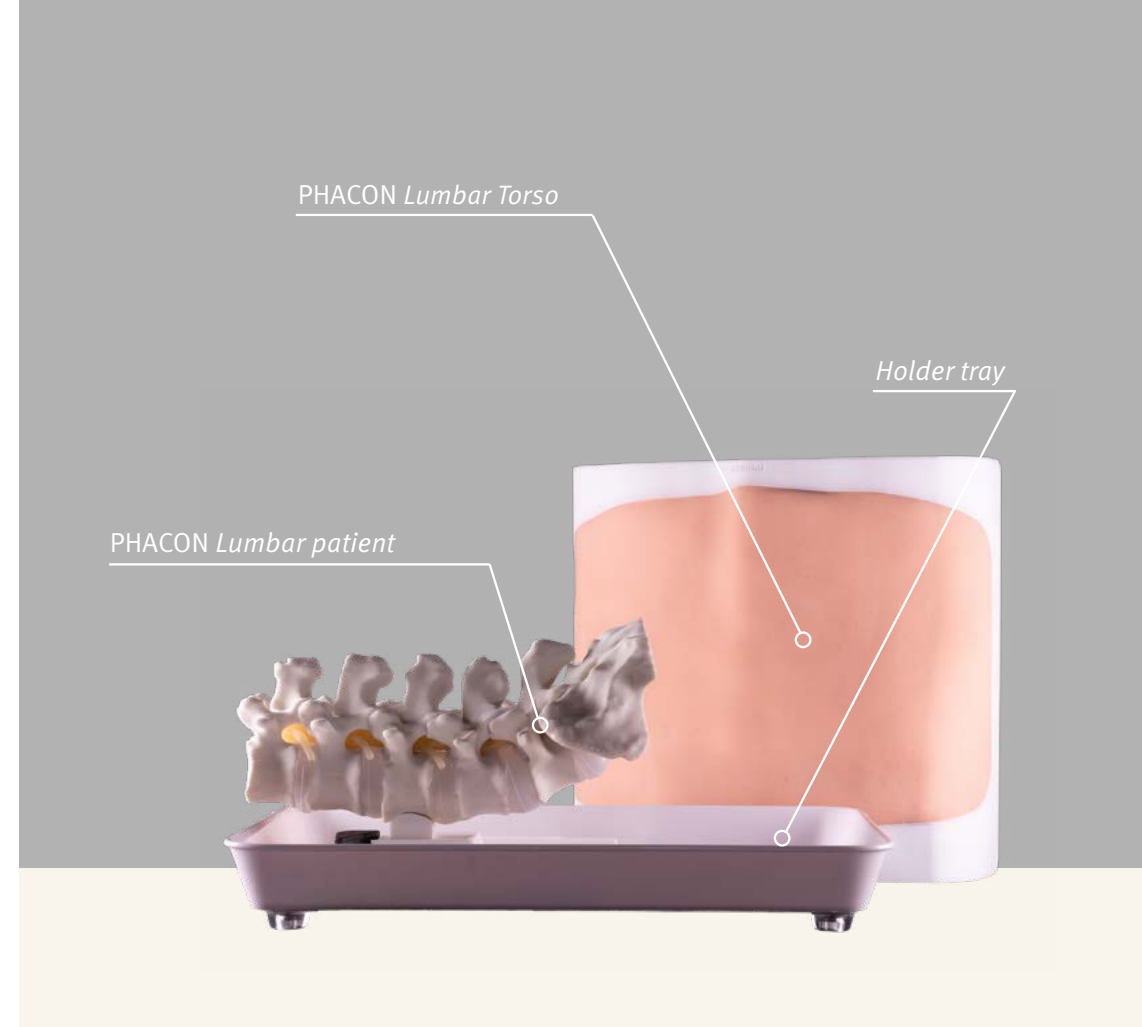
The packaging material is not suitable for eating.

Packaging waste is not to be disposed of via normal household waste. Please think about your environment.

Please do not use any liquid food or drink during use.



DISCOVER THE INTRODUCTION
IN OUR PHACON LUMBAR SPINE ASSISTANT



PACKING INSTRUCTIONS

PHACON LUMBAR SPINE ASSISTANT - TRANSPORT CASE

1. First insert the manual into the recess. Then insert the Holder Tray on the same position.



2. Then you put the patient with the plate in the hole, left to the Holder Tray.

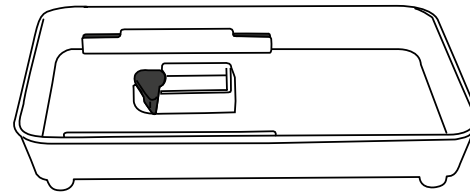


3. After that position the torso in the Holder Tray. It lock by the magnets.

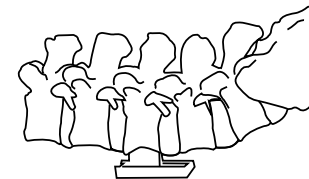


LUMBAR SPINE ASSISTANT COMPONENTS

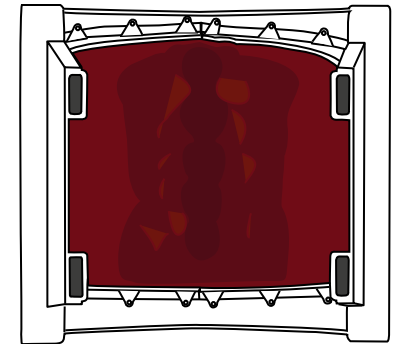
A



B



C

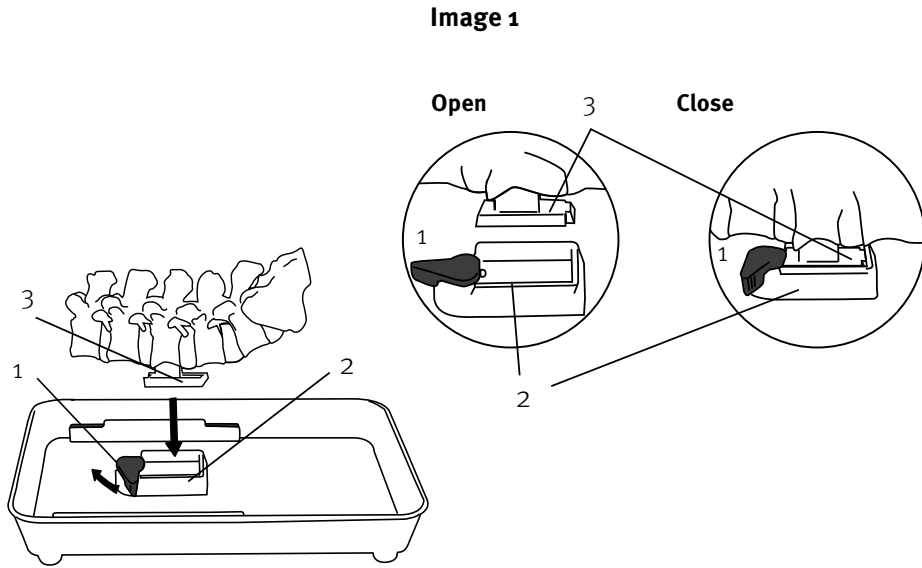


A Holder Tray

B PHACON Lumbar Spine Patient „Schumann“

C PHACON Lumbar Spine Patient „Schumann“ – Torso

INSTRUCTIONS



LEGEND

1. Locking lever

Release to attach the patient.

2. Mounting plate

The holder tray plate for mounting the patient on the holder tray.

3. Patient plate

To Lock the Patient in the holder tray Mounting plate.

4. Metal plates

To fix the torso on the holder tray and on the Patient.

5. Magnet plates

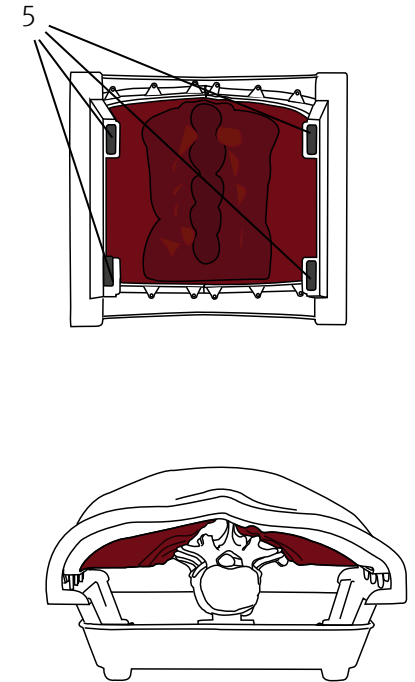
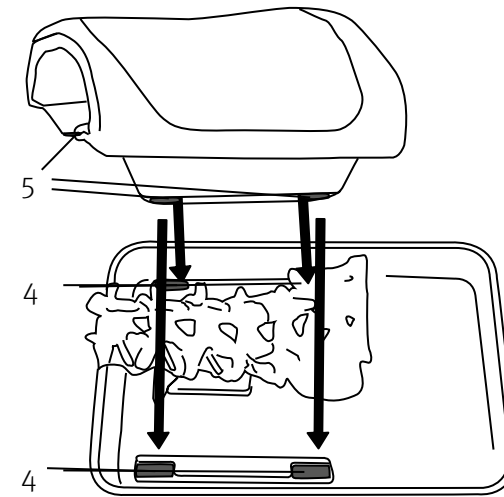
To fix the torso on the holder tray and on the Patient put them on the Metall plate.

Holder Tray

First you fix the Patient. Open the Locking lever by turning left, put the Patient Plate in the Mounting Plate like in Image 1. Note that the flattened side of the patient plate is on the right side. Close the Locking lever by turning right.

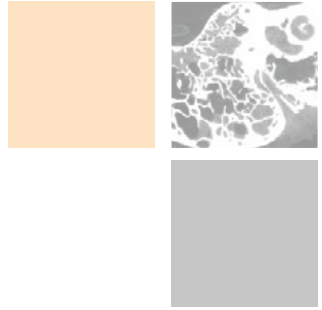
INSTRUCTIONS

Image 2



Fasten the Lumbar Spine Patient „Schumann“ – Torso to the holding tray and the PHACON Lumbar Spine Patient „Schumann“.

Image 2 To fix the torso on the holder tray and on the Patient put them on the Metal plate. When attaching them, make sure that the raised side of the torso is on the right. The magnets of the torso attach themselves to the metal plate of the holding tray.



THE PATIENTS FOR YOUR SURGICAL DEMONSTRATION AND EDUCATION

EUROPE

PHACON GmbH

Druckereistrasse 11
04159 Leipzig
Germany

www.phacon.de

Phone: +49 (0)3 41 47 83 97 32
Fax: +49 (0)3 41 47 83 91 74
Mail: info@phacon.de

USA

PHACON Inc.

4470 Chamblee-Dunwoody Rd. /// Suite 463
Dunwoody /// GA 30338 /// USA

www.phacon.us

Phone: 1 833 2 PHACON
2 742266
Fax: 470 243 0494
Mail: info@phacon.us